

JIS ANSI/ASME/ASTM DIN®

※ DIN:TS/Threaded Socket available



Operating Temperature(°C)

PVC	0 ~ 50
HT-CPVC	0 ~ 80



Flange

TS Socket + Thread

ESLON CHECK VALVE BALL TYPE

Feature

- Low pressure loss and reliable checking performance even with small differential pressure.
- Superior corrosion & chemical resistance as all plastic component for contact parts with medium.
- Easy maintenance by detaching union nut.

⚠ Important Notes

- In the condition of low flow rate or frequent flow rate fluctuation, the ball might vibrate in the body, and might cause sound or damage of valve. Esilon check valve swing type or lift type may be usable in those cases.
- Turbulent flow might disable checking by irregular ball bouncing.
- Fluid containing slurry, solid, sediment, or crystallized fluid might disable checking and sealing.
- Valve can be installed both vertically and horizontally. Match the arrow on the valve body to the flow direction when install the valve with bonnet upward.

Maximum Working Pressure - Temperature Rating

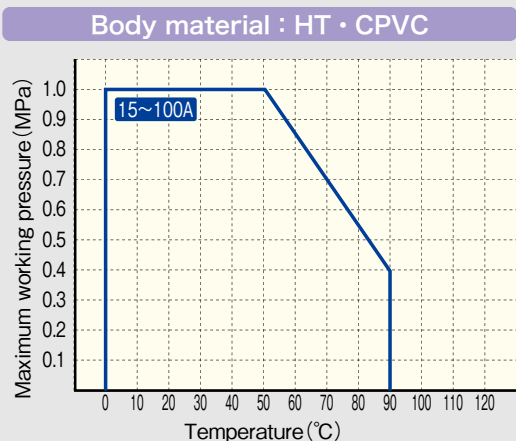
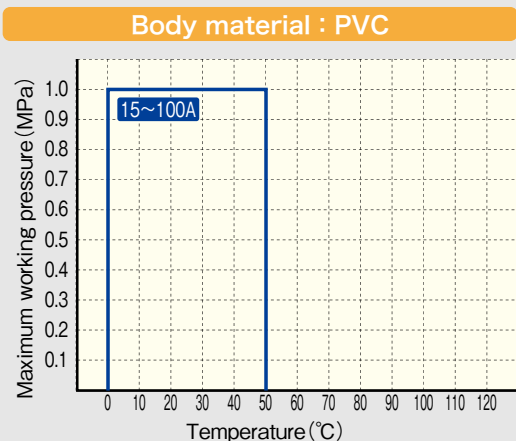
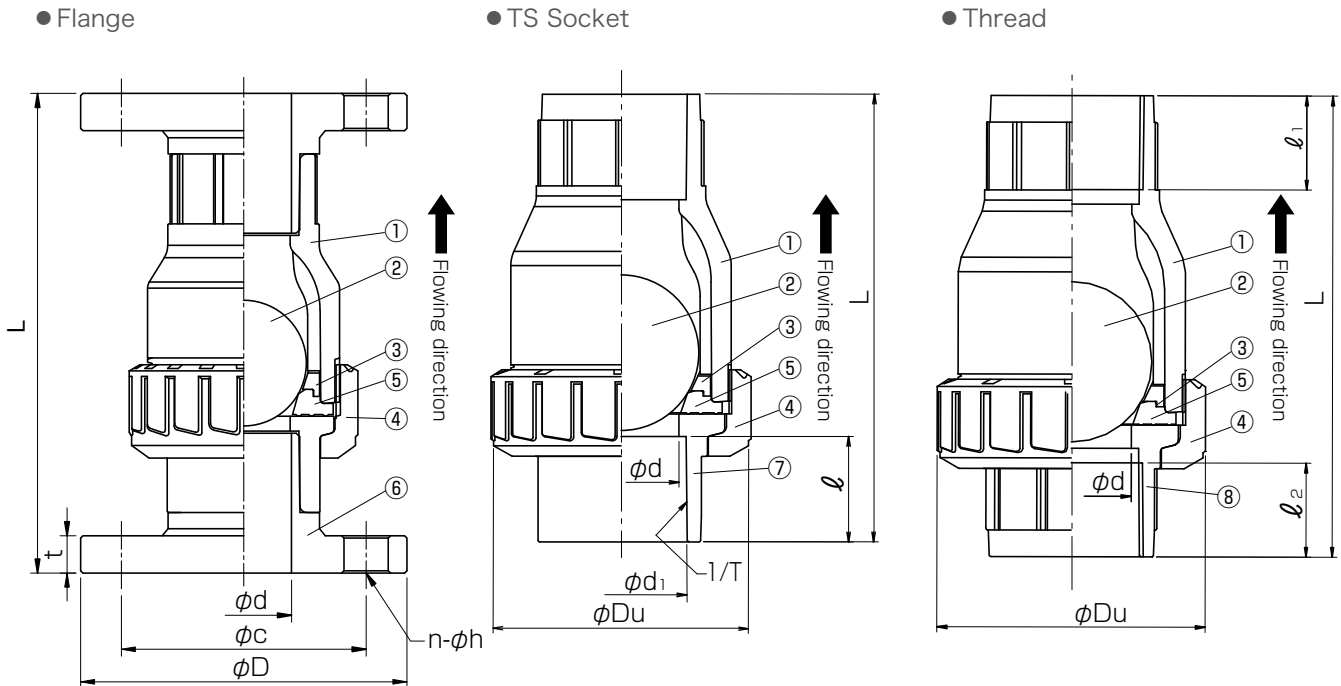


Figure (Flange Type · TS Socket Type · Thread Type)



Parts List

No.	Part Name	QTY	Material
1	Body	1	
2	Ball	1	●PVC
3	Ring	1	●HT (JIS:Brown)
4	Union nut	1	●CPVC (ASTM·DIN:Gray)
5	Seat	1	● EPDM ● FKM
6	Flange	2	●PVC ●HT (JIS:Brown) ●CPVC (ASTM·DIN:Gray)
7	TS socket	1	●PVC ●HT (JIS:Brown) ●CPVC (ASTM·DIN:Gray)
8	Thread	1	●PVC

Size

Flange Type · TS Socket Type · Thread Type

Unit : mm

Size		d	Flange									
A	B		JIS10K					ANSI				
			L	φ D	φ C	n-φ h	t	L	φ D	φ C	n-φ h	t
15	1/2	16	135	95	70	4-15	14	145	89	60.5	4-16	11.5
20	3/4	20	160	100	75	4-15	14	169	98	70.0	4-16	13.0
25	1	25	170	125	90	4-19	14	183	108	79.5	4-16	14.5
32	1 1/4	32	205	135	100	4-19	16	231	119	89.0	4-16	17.6
40	1 1/2	40	205	140	105	4-19	16	232	127	98.5	4-16	17.5
50	2	50	230	155	120	4-19	20	264	152	120.5	4-19	19.5
65	2 1/2	65	398	175	140	4-19	22	319	178	139.5	4-19	22.5
80	3	78	425	185	150	8-19	22	352	191	152.5	4-19	24.0
100	4	102	584	210	175	8-19	24	461	229	190.5	8-19	24.0

■ Minimum operating pressure (Gasket:EPDM)

Unit : kPa

Size(A)		15	20	25	32	40	50	65	80	100	
Vertical piping	Min.opened pressure	5			10						
	Min.closed pressure				30			50			
Horizontal piping	Min.opened pressure	1		2							
	Min.closed pressure				30			50			

※ The pressure in the above table has tolerance.

Unit : mm

TS socket									Thread						φ Du	Weight(kg/unit)				
JIS			ASTM			DIN			JIS : Rc		ANSI : NPT		DIN:Rc, Rp			PVC		HT (CPVC)		
L	φ d1	ℓ	L	φ d1	ℓ	L	φ d1	ℓ	ℓ1, ℓ2	L	ℓ1, ℓ2	L	ℓ1, ℓ2	L		Flange	TS Thread	Flange	TS	
98	22.3	22	95	21.54	22.2	83	20.3	16	18.0	18	88	16.5	88	15.0	88	49	0.5	0.1	0.5	0.1
118	26.3	25	110	26.87	25.4	99	25.3	19	21.0	18	106	17.0	106	16.5	106	59	0.6	0.2	0.6	0.2
124	32.3	29	119	33.65	28.6	106	32.3	22	24.0	23	112	21.0	112	19.0	112	67	1.0	0.3	1.0	0.3
153	38.4	32	153	42.42	31.8	149	40.3	26	30.8	31	152	22.0	149	22.0	149	98	1.6	0.6	1.6	0.6
153	48.5	35	151	48.56	35	142	50.3	31	31.0	25	144	22.0	144	22.0	144	98	1.6	0.5	1.6	0.5
180	60.6	38	172	60.63	38.1	173	63.3	38	38.0	30	172	23.0	172	26.0	172	120	2.4	0.8	2.4	0.8
259	76.6	61	218	73.38	44.5	218	75.3	44	44.5	32	226	31.0	218	31.0	218	150	4.6	2.2	4.6	2.2
281	89.6	64	242	89.31	47.6	243	90.3	51	37.0	37	251	37.0	242	37.0	243	150	5.0	2.4	5.0	2.5
404	114.7	84	340	114.76	57.2	344	110.4	61	55.0	45	346	35.0	335	40.0	335	228	13.0	6.8	13.0	6.8