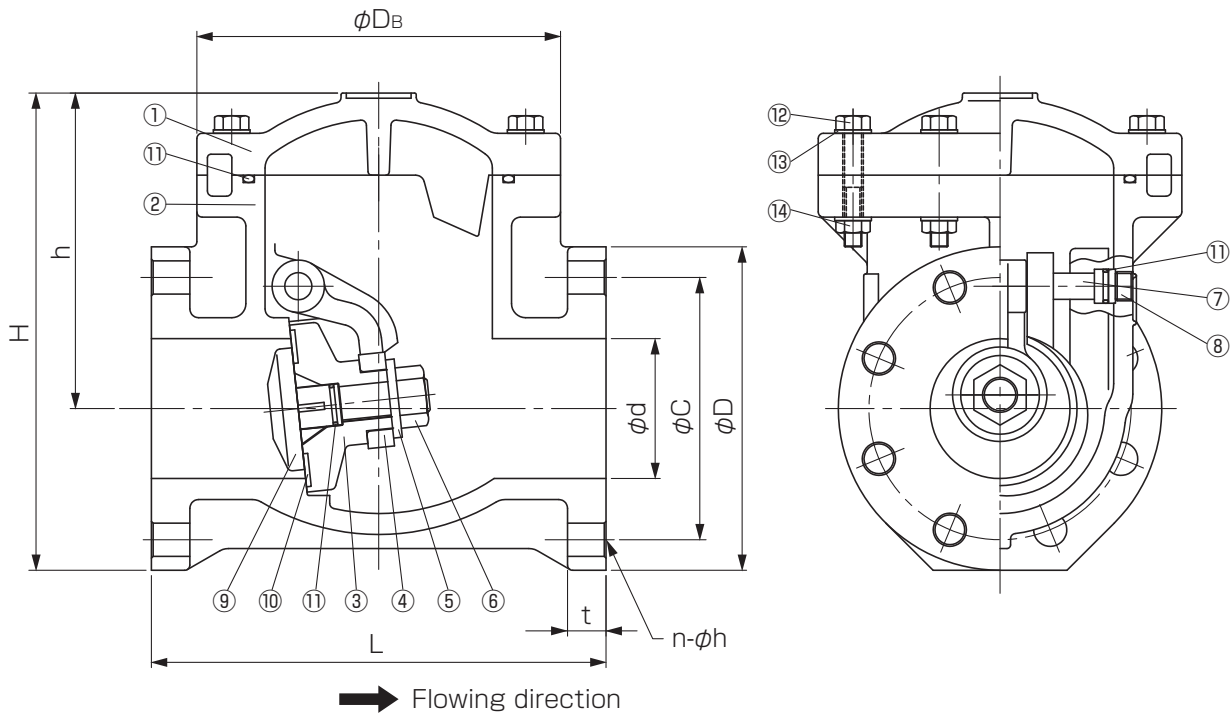


Figure



Parts List

No.	Part Name	QTY	Material	No.	Part Name	QTY	Material
1	Cover	1	● PVC ● PP ● PVDF	9	Gasket Holder*	1	● PVC ● PP ● PVDF
2	Body	1		10	Gasket	1	● EPDM ● PTFE
3	Disc	1		11	O-Ring	1	● EPDM ● FKM
4	Arm	1		12	Hexagon Bolt	6	SUS304
5	Washer	1		13	Washer	12	SUS304
6	Hexagon Nut	1		14	Hexagon Nut	6	SUS304
7	Shaft	1					
8	Plug	1					

* PP body in sizes 15-25A & 150A, 200A; Gasket Holder is PVDF

Size

Unit: mm

Size		d	L	H	h	D _B	FLANGE												Weight(kg/unit)		
A	B						JIS10K				ANSI				DIN				PVC	PP	PVDF
							ϕD	ϕC	n- ϕh	t	ϕD	ϕC	n- ϕh	t	ϕD	ϕC	n- ϕh	t			
15	1/2	21	140	143	93	112	100	70	4-15	14	—	—	—	—	—	—	—	—	1.0	0.8	1.3
20	3/4	21	140	143	93	112	100	75	4-15	14	100.0	70.0	4-16	14	105	75.0	4-14	14	1.0	0.8	1.3
25	1	25	160	180	118	132	125	90	4-19	14	108.0	79.5	4-16	14	115	85.0	4-14	14	1.6	1.3	2.2
32	1 1/4	40	180	206	136	148	140	100	4-19	18	127.0	89.5	4-16	18	140	100.0	4-18	18	2.7	1.9	3.3
40	1 1/2	40	180	206	136	148	140	105	4-19	18	127.0	98.5	4-16	18	140	110.0	4-18	18	2.7	1.9	3.3
50	2	51	200	229	152	180	155	120	4-19	20	152.0	120.5	4-19	20	165	125.0	4-18	20	3.6	3.0	4.5
65	2 1/2	67	240	254	166	200	175	140	4-19	22	178.0	139.5	4-19	22	185	145.0	4-18	22	4.8	3.8	6.0
80	3	80	260	270	178	208	185	150	8-19	22	190.5	152.5	4-19	22	200	160.0	8-18	22	5.8	4.3	7.5
100	4	100	300	318	213	265	210	175	8-19	24	229.0	190.5	8-19	24	220	180.0	8-18	24	9.4	7.3	11.8
125	5	125	350	372	247	330	250	210	8-23	24	254.0	216.0	8-23	24	250	210.0	8-18	24	16.4	12.7	21.0
150	6	150	400	420	280	375	280	240	8-23	26	280.0	241.5	8-23	26	285	240.7	8-22	26	20.1	16.0	26.0
200	8	200	500	494	329	425	330	290	12-23	30	343.0	298.5	8-23	30	340	295.0	8-22	30	31.7	27.0	44.0

1. Size 15A is same as 20A and Size 32A is same as 40A, it is fabricated to long bolt hole of the flange.

Minimum operating pressure(Gasket:EPDM)

Unit: kPa

Size(A)		15	20	25	32	40	50	65	80	100	125	150	200
Vertical piping	Min.opened pressure	10											
	Min.closed pressure	30											40
Horizontal piping	Min.opened pressure	10											
	Min.closed pressure	30						40				50	

※ The pressure in the above table has tolerance.