



JIS ANSI/ASME DIN



Operating Temperature(°C)

PVC	0 ~ 50
PP	0 ~ 80
PVDF	0 ~ 120



Single Action
(Air to open,Air to close)

Double Action

ESLON PNEUMATIC BUTTERFLY VALVE TYPE S

Feature

- Light weight and compact of aluminum actuator.
- Excellent corrosion resistance.
- Changeable into automatic/manual operation.
- Operating air pressure : 0.4MPa
- Manual override wheel handle for open/close is available.
- Box type of Limit switch is available as an option.
- Conformity with NAMUR standard.

Actuator Specifications

Size	Double Action		Single Action	
	Model	Air consumption (ℓ/time)	Model	Air consumption (ℓ/time)
40A	AD50	2.0	AS50	1.0
50,65A	AD50	2.0	AS65	1.5
80A	AD65	3.0	AS80	3.0
100A	AD80	5.5	AS100	6.0
125A	AD100	11.5	AS125	12.5
150A	AD125	23.5	AS140	19.5
200,250A	AD125	23.5	AS160	24.0
300A	AD140	37.0	AS160	24.0
350,400A	AD160	45.5	AS210	31.0

Standard Operating Air Pressure

Air Pressure	Double Action	0.4MPa
	Air To Open&Close	0.4MPa

Air Supply Port

Double Action	Rc 1/4
Air To Open&Close	Rc 1/4

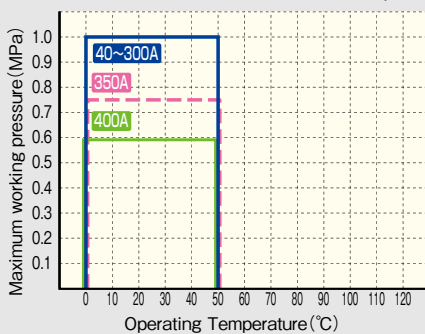
⚠ Important Notes

- Fluid containing slurry, solid, sediment, or crystallized fluid might disable sealing.

Maximum Working Pressure - Temperature Rating

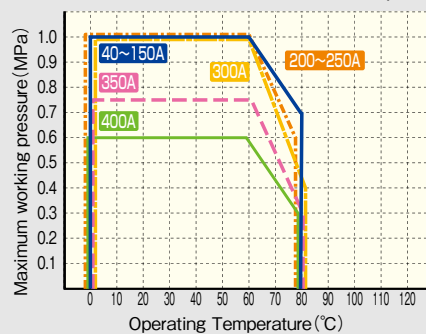
Body material : PVC

■ Double Action,Air To Close,Air To Open



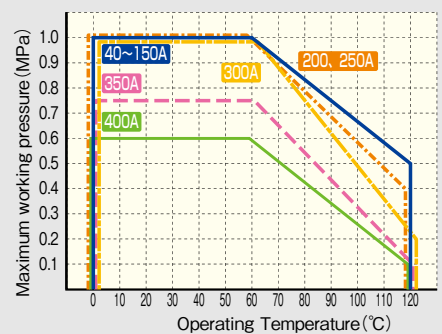
Body material : PP

■ Double Action,Air To Close,Air To Open

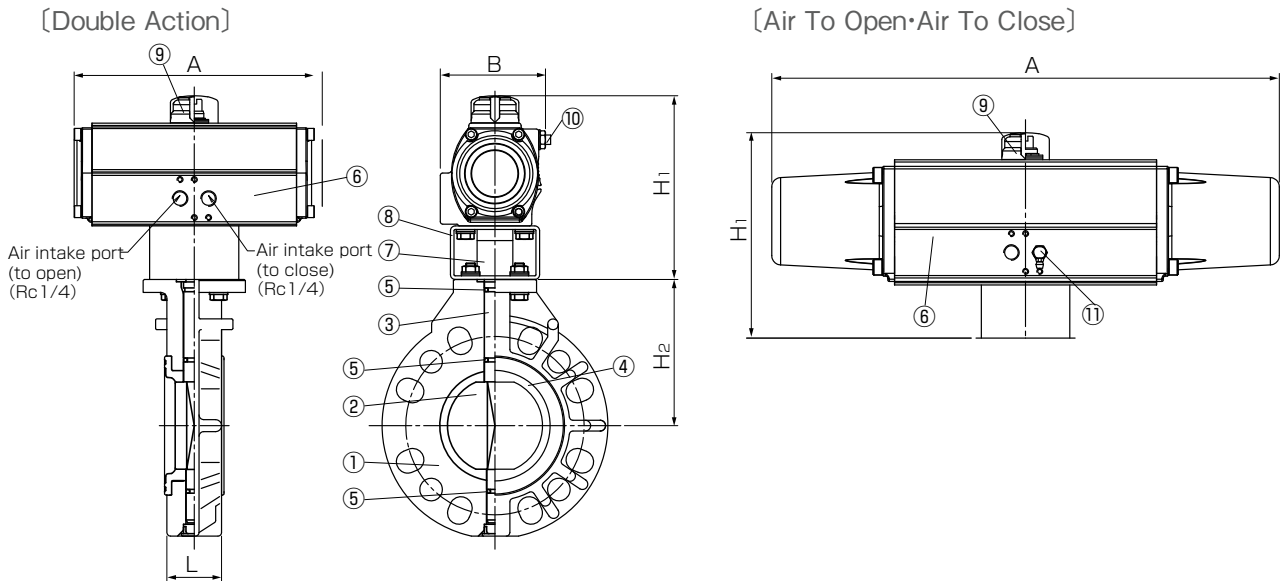


Body material : PVDF

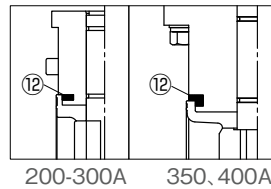
■ Double Action,Air To Close,Air To Open



Figure



200-400A (Body: PP)



Option



Parts List

No.	Part Name	Q'TY	Material / Type
1	Body	1	Body/Disc ● PVC/PP ● PP/PP ● PVDF/PVDF
2	Disc	1	
3	Shaft	1	● SUS420J2 ● SUS316
4	Seat Ring	1	● EPDM ● FKM
5	O-Ring	3	
6	Cylinder	1	AL6063
7	Yoke	1	STKR+Resin Coating
8	Connector	1	SUS303
9	Indicator	1	PA+PE
10	Adjust Bolt	2	SUS304
11	Air Exhaust Port	1	C3601+Resin Coating
12	Reinforced Ring (200-400A Body:PP)	2	S45C+Plating

* Other options: Please contact us.

Size

Size		L	φ d	Flange						H ₁		H ₂	Double Action		Air to open Air to close		Weight(kg/unit)	
A	B			JIS10K		ANSI		DIN		Double Action	Air to open Air to close		A	B	A	B	Double Action	Air to open Air to close
				φ C	n-φ h	φ C	n-φ h	φ C	n-φ h									
40	1 1/2	33	45	105	4-19	98.5	4-16	110	4-18	138	138	105	162	75	257	75	2.5	2.6
50	2	43	57	120	4-19	120.5	4-19	125	4-18	138	155	112	162	75	314	89	2.7	3.7
65	2 1/2	46	71	140	4-19	139.5	4-19	145	4-18	138	155	123	162	75	314	89	3.1	4.5
80	3	46	80	150	8-19	152.5	4-19	160	8-18	155	174	130	202	89	430	101	4.4	7.0
100	4	52	100	175	8-19	190.5	8-19	180	8-18	175	197	152	262	101	500	129	6.6	12.4
125	5	56	125	210	8-23	216	8-22	210	8-18	228	253	169	311	129	606	151	9.9	18.9
150	6	60	150	240	8-23	241.5	8-22	240	8-22	252	271	178	390	151	682	164	16.6	28.6
200	8	71	198	290	12-23	298.5	8-22	295	8-22	252	198	230	390	151	781	188	18.2	41.3
250	10	78	246	355	12-25	362	12-25	350	12-22	277	323	250	390	151	781	188	27.0	47.9
300	12	114	299	400	16-25	432	12-25	400	12-22	295	323	280	431	164	781	188	41.1	54.9
350	14	129	348	445	16-25	476.2	12-29	460	16-22	323	387	325	506	188	982	231	55.0	97.4
400	16	169	406	510	16-27	540.0	16-29	515	16-26	323	387	350	506	188	982	231	62.3	105.0

Unit : mm