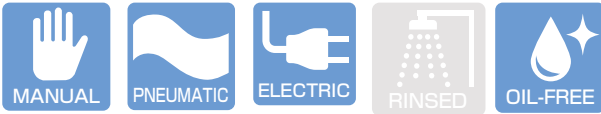


JIS ANSI/ASME/ASTM DIN/ISO



Operating Temperature(°C)

	Flange Type	Union Type
PVC	0 ~ 60	0 ~ 50
HT-CPVC	0 ~ 90	0 ~ 90
PP	0 ~ 90	
PVDF	0 ~ 120	0 ~ 100



15~50A

65~100A

ESLON PNEUMATIC DIAPHRAGM VALVE TYPE F

Feature

- High pressure rating and excellent sealing performance with optimized diaphragm design.
2 types of maximum working pressure, 1.0MPa / 0.7MPa for Normal Close Action.
- Standard optional accessories available on the top mount on request.
- Excellent chemical and corrosion resistance, light weight, and compact.
- Flat at the bottom of flange and insert nuts for prevention of tumbling and for better workability in plumbing.
※Union type

Max. Working Press. at R.T.

Size	Air Pressure		
	Double Action Air To Close	Air To Open	
		7k	10k
15-50A	1.0		1.0
65-100A	0.7	0.7	—

Air Supply Port

Double Action	Rc 1/4
Air To Open&Close	Rc 1/4

Actuator Specifications

Size	Double Action		Air to Open 7K		Air to Open 10K		Air to Close	
	Standard Operating Pressure	Air consumption (ℓ/time)	Standard Operating Pressure	Air consumption (ℓ/time)	Standard Operating Pressure	Air consumption (ℓ/time)	Standard Operating Pressure	Air consumption (ℓ/time)
15-32A	0.4	2.0	0.4	1.0	0.6	1.4	0.5	1.2
40,50A	0.4	9.0	0.5	4.8	0.6	5.6	0.5	6.0
65A	0.3	24.2	0.5	10.7	—	—	0.5	13.1
80A	0.3	25.0	0.5	11.9	—	—	0.5	13.1
100A	0.4	38.6	0.5	17.3	—	—	0.5	23.2

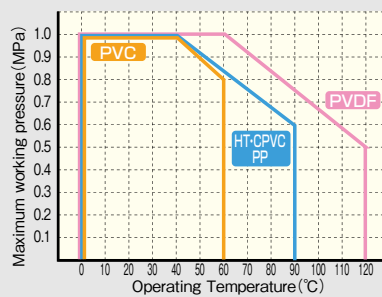
⚠ Important Notes

- Fluid containing slurry, solid, sediment, or crystallized fluid might disable sealing.

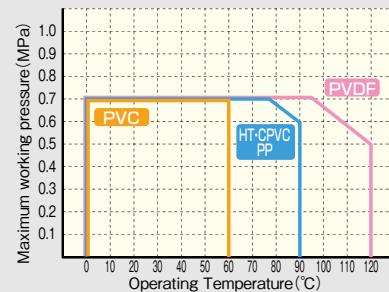
Maximum Working Pressure - Temperature Rating

■ Flange Type
EPDM·FKM·PTFE

● Double Action, Air To Close, Air To Open10K

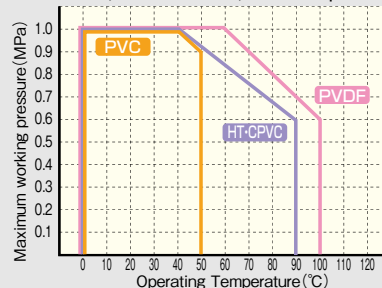


● Air To Open7K



■ Union Type
EPDM·FKM·PTFE

● Double Action, Air To Close, Air To Open10K



● Air To Open7K

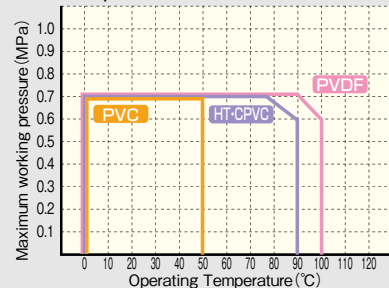
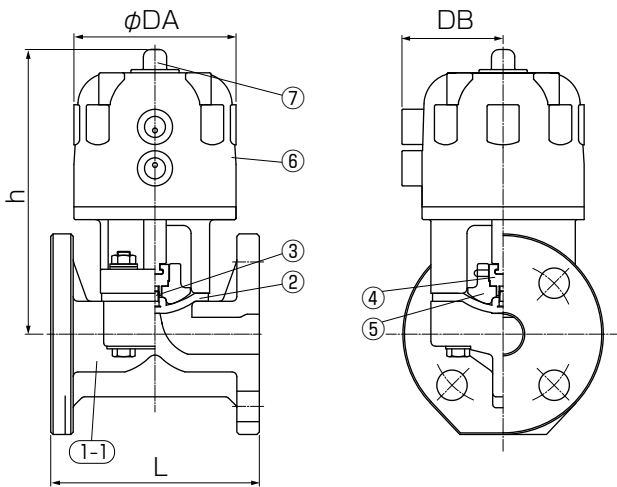
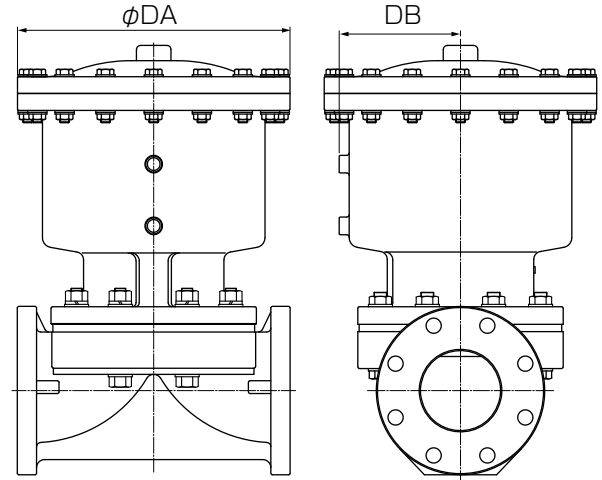


Figure (Flange Type · TS Socket Type · Thread Type · Butt Type)

● Flange Type
15A~50A



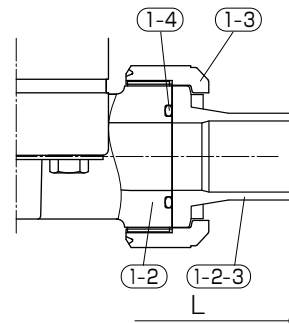
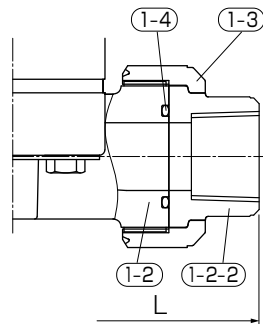
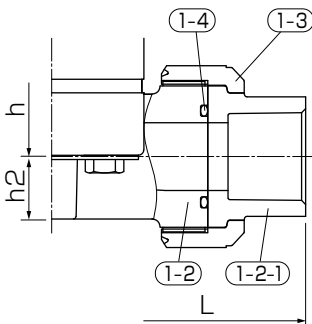
65~100A



● TS Socket Type

● Thread Type

● Butt Type



Option



● Opening control unit



● Closing control unit
(15 ~ 50A)



● Limit switch

Parts List

No.	Part Name	QTY	Material / Type
1-1	Body(Flange type)	1	● PVC ● HT (JIS : Brown) ● CPVC (ANSI-DIN : Gray) ● PP ● PVDF
1-2	Body(Union type)	1	● PVC ● HT (JIS : Brown) ● CPVC (ANSI-DIN : Gray) ● PVDF
1-2-1	TS Socket	2	● PVC ● HT ● CPVC
1-2-2	Threaded socket	2	● PVC ● PVDF
1-2-3	Butt Spigot Type	2	● PP ● PVDF ● PE
1-2-4	Socket welding	2	PP
1-3	Union nut	2	● PVC ● HT ● CPVC ● PVDF
1-4	O-ring	2	● EPDM ● FKM
2	Diaphragm	1	● EPDM ● FKM ● PTFE+EPDM
3	Diaphragm Stud Bolt	1	SUS304
4	Connecting Nut	1	C3604
5	Compressor	1	GF-PP
6	Actuator	1	GF-PP
7	Cap Cover	1	PC



● Solenoid valve



● Electro pneumatic positioner



● Speed controller



● Regulator with filter

※ Other options: Please contact us.

Size

Flange type · Thread type · TS socket type · Butt type

Unit : mm

Size		h	φ DA	DB	Flange	Weight (kg/unit) (Air to open)
A	B				JIS10K,ANSI,DIN L	
15	1/2	176	101	63	110	1.6
20	3/4	176	101	63	120	1.7
25	1	183	101	63	130	1.8
32	1 1/4	183	101	63	142	2.1
40	1 1/2	303	155	90	180	8.0
50	2	307	155	90	210	8.9
65	2 1/2	386	235	124	250	15.9
80	3	392	285	124	280	17.5
100	4	430	340	151	340	27.3

Unit : mm

Size		h	h2	TS Socket			Thread				Weight (kg/unit) (Air to open)	
A	B			JIS	ASTM	DIN	JIS/DIN:Rc		ANSI:NPT	DIN:Rp	TS socket	Thread
		L	L	L	PVC	PVDF	PVC,PVDF	PVC,PVDF	L	L		
15	1/2	176	15.0	144	137	126	133	134	133	133	1.4	1.4
20	3/4	176	18.0	172	158	146	157	157	157	157	1.5	1.5
25	1	183	23.0	187	177	165	173	180	173	173	1.6	1.6
32	1 1/4	183	23.0	210	190	179	188	181	188	188	1.9	1.9
40	1 1/2	307	32.5	262	258	247	248	254	248	248	8.0	8.0
50	2	308	37.5	298	283	284	280	290	280	280	8.9	8.9

Unit : mm

Size		Butt Spigot			Socket welding	
A	B	DIN		JIS	DIN	
		PP,PVDF	PE	PE	PP	
		L	L	L	L	φ
15	1/2	176	246	-	137	12.0
20	3/4	189	259	-	153	13.0
25	1	203	283	293	171	14.5
32	1 1/4	210	301	-	183	18.0
40	1 1/2	272	376	376	245	16.0
50	2	306	419	409	278	20.0